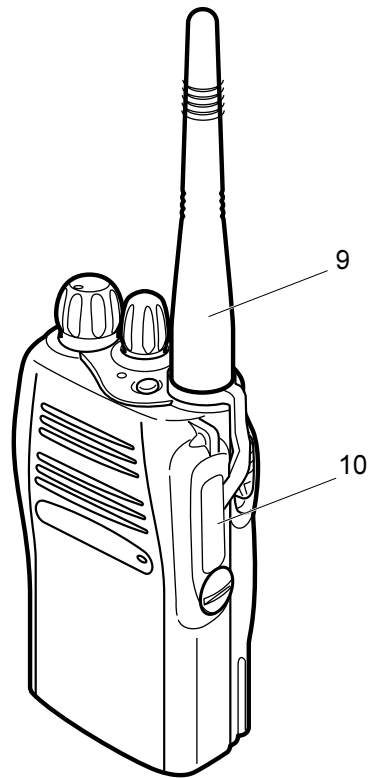
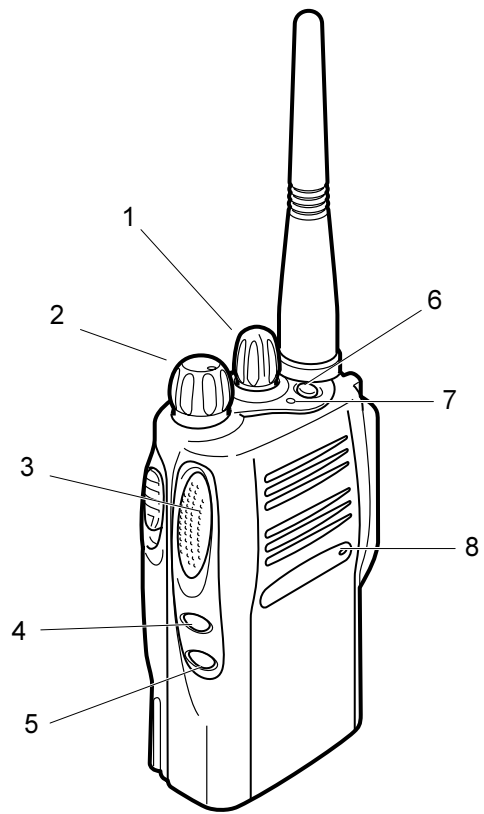


Professional Portable Radios

GP344 / GP344R

User Guide





BASIC USER GUIDE

CONTENTS

General Information	2
Operation and Control Functions	2
Radio Controls	2
Audio Signal Tones	3
Getting Started	4
Radio On-Off/Volume Control	4
Adjusting the Radio's Volume	4
Selecting a Channel	4
Sending a Call	4
Receiving a Call	4
Battery Information	5
Battery Care and Tips	5
Recycling or Disposal of Batteries	6
Charging the Battery	6
Accessory Information	8
Attaching/Removing the Battery	8

Copyright Information

The Motorola products described in this manual may include copyrighted Motorola computer programs stored in semiconductor memories or other mediums. Laws in the United States and other countries preserve for Motorola certain exclusive rights for copyrighted computer programs, including the exclusive right to copy or reproduce in any form the copyrighted computer program. Accordingly, any copyrighted Motorola computer programs contained in the Motorola products described in this manual may not be copied or reproduced in any manner without the express written permission of Motorola. Furthermore, the purchase of Motorola products shall not be deemed to grant either directly or by implication, estoppel, or otherwise, any licence under the copyrights, patents, or patent applications of Motorola, except for the normal non-exclusive royalty-free licence to use that arises by operation of the law in the sale of a product.

GENERAL INFORMATION

This user guide covers the basic operation of the GP344/GP344R Portable Radio. Please consult your dealer for further, more detailed information which is contained in a full feature user guide 6864110B98.



Caution

Before using this product, read the operating instructions for safe usage contained in the Product Safety and RF Exposure booklet 6864117B25 enclosed with your radio.

ATTENTION!

This radio is restricted to occupational use only to satisfy ICNIRP RF energy exposure requirements. Before using this product, read the RF energy awareness information and operating instructions in the Product Safety and RF Exposure booklet (Motorola Publication part number 6864117B25) to ensure compliance with RF energy exposure limits.

For a list of Motorola-approved antennas, batteries, and other accessories, visit the following web site which lists approved accessories:
<http://www.motorola.com/governmentandenterprise>


OPERATION AND CONTROL FUNCTIONS


Radio Controls

The numbers below refer to the illustrations on the inside front cover.

1. Channel Selector Knob (16 Position)
Switches the radio to different channels.
2. On-Off / Volume Knob
Used to turn the radio on or off, and to adjust the radio's volume.
3. Push to Talk Button (PTT)
Press and hold down this button to talk, release it to listen.
4. Side Button 1 (programmable)
Recommended for Monitor/Cancel Button.
5. Side Button 2 (programmable)
6. Top Button (programmable)
Recommended for Emergency Button.
7. LED Indicator
Green: *Successful power up.*
Green Flashing: *Radio scanning.*
Red: *Radio transmitting.*
Red Flashing: *Channel busy - when receiving.*
Yellow: *Radio called.*
Yellow Flashing: *Radio call reminder alert.*
Red Flashing: *Low battery warning - when transmitting.*
8. Microphone
Speak clearly into the microphone when sending a message.
9. Antenna
10. Accessory Connector
Connects headsets, remote speaker/ microphones and other accessories. Replace attached dust cap when not in use.

Audio Signal Tones

High pitched tone 

Low pitched tone 

High pitched tones generally are positive indicators used for example to inform you of incoming calls, starting a feature and good status (e.g. radio power up OK).

Low pitched tones generally are negative indicators used for example to inform you of time restrictions, stopping a feature and bad status (e.g. error conditions).

Audio Indicators for Programmable Buttons

Some programmable buttons function as toggles, alternating between two different choices. These buttons use audio tones to indicate the change.

Programmable Buttons	High Pitched Tone	Low Pitched Tone
Scan	Start Scan operation	Stop Scan operation
Tx Power	Radio transmits at high power	Radio transmits at low power
Monitor/Cancel	Radio operates in Monitor 1 or 2	Radio forced to monitor prior to transmitting
Call Forward	On - transfers your calls to another radio if you are absent	Off - Disables call forward when you return
Lone Worker	Enables Lone Worker function	Disables Lone Worker function
Repeater/Talkaround	Radio does not use the repeater	Radio does use the repeater
Whisper mode	On - allows you to talk quietly into microphone	Off - allows you to talk normally into microphone

GETTING STARTED

Radio On-Off/Volume Control

To turn the radio **on**, turn the **On-Off/Volume Control** knob clockwise.

To turn the radio **off**, turn the **On-Off/Volume Control** knob counterclockwise until you hear a click.

Adjusting the Radio's Volume

Turn the **On-Off/Volume Control** knob to adjust the volume level.

Selecting a Radio Channel

Turn the **Channel Selector** knob clockwise or counterclockwise until you reach the desired channel indicated on the Channel Selector knob graduation.

Sending a Call

1. Use the **Channel Selector** knob to change to the required channel.
2. Press the **PTT** button and speak clearly into the microphone.
Your mouth should be about 2.5 to 5 cm away from the microphone.
3. Release the **PTT** button when you finish speaking.

Receiving a Call

1. Turn your radio on and adjust the volume level.
2. Switch to the desired channel.
3. If, at any time, a call is received, you will hear the call at the volume level you have set.

BATTERY INFORMATION

Battery Care and Tips

This product is powered by a nickel-metal-hydride (NiMH) or a lithium-ion rechargeable battery.

The following battery tips will help you obtain the highest performance and longest cycle life from your Motorola rechargeable battery.

- Charge your new battery overnight (**14-16 hrs**) before using it to obtain maximum battery capacity and performance.
- Charging in non-Motorola equipment may lead to battery damage and void the battery warranty.
- When charging a battery that is attached to the radio, turn the radio off to ensure a full charge.
- The battery should be at about 25°C/77°F (room temperature) whenever possible. Charging a cold battery (below 10°C/50°F) may result in leakage of electrolyte and ultimately, in failure of the battery.
- Charging a hot battery (above 35°C/95°F) results in reduced discharge capacity, affecting the performance of the radio. Motorola rapid-rate battery chargers contain a temperature-sensing circuit to ensure that the battery is charged within these temperature limits.
- New batteries can be stored up to two years without significant cycle loss. Store new/unused batteries in cool dry area.
- Batteries which have been in storage should be charged overnight.
- Do not return fully charged batteries to the charger for an “extra boost”. This action will **significantly** reduce battery life.
- Do not leave your radio and battery in the charger when not charging. Continuous charging will shorten battery life. (Do not use your charger as a radio stand.)
- For optimum battery life and operation use only Motorola brand chargers. They were designed to operate as an integrated energy system.

Recycling or Disposal of Batteries

Motorola endorses and encourages the recycling of all re-chargeable batteries. Contact your dealer for further information.

Charging the Battery

If a battery is new, or its charge level is very low, you will need to charge the battery before you can use it in your radio.

Note: Batteries are shipped uncharged from the factory. New batteries could prematurely indicate full charge, charge a new battery for **14-16 hrs** before initial use.

Charger LED	Status
Red	Battery is charging
Green	Battery is fully charged
Flashing Red *	Battery is unchargeable
Flashing Yellow	Charger is getting ready to charge
Flashing Green	Battery is 90% charged

* Battery is damaged. Please contact your dealer.

1. Place the radio with the battery attached, or the battery alone, in the charger.
2. The charger's LED indicates the charging progress.

Battery chargers will charge only the Motorola authorized batteries listed below; other batteries will not charge.

GP344 IP54 Portable Radio Battery List

Part No.	Description
JMNN4023_	Li-Ion, IP54 1000 mAh, 7.5V
JMNN4024_	High Capacity Li-Ion, IP54 1320mAh. 7.5V
JMNN4025_	NiMH, IP54 700mAh, 7.5V FM Approved

Note: Do not use IP54 batteries with IP67 radios.

IP67 water submersible radios **MUST** be fitted with Motorola authorized IP67 batteries, listed below, to ensure proper functionality.

GP344R IP67 Portable Radio Battery List

Part No.	Description
PMNN4073_	Li-Ion, IP67 FM Approved
PMNN4074_	Li-Ion, IP67

The following label is attached to IP67 batteries:



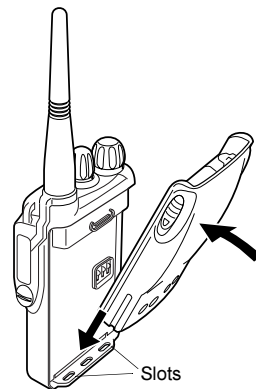
Caution

The battery charger is not waterproof. For your safety and proper operation of the charger, IP67 radios with battery (or standalone battery) **MUST** be dry prior to placing in the battery charger for charging. Do **NOT** operate the charger, when your hands are wet or while holding a wet IP67 radio/battery. Do **NOT** touch the battery contacts, when your hands are wet. Do **NOT** put the battery into water, as this may cause the IP67 metal contacts to corrode.

ACCESSORY INFORMATION

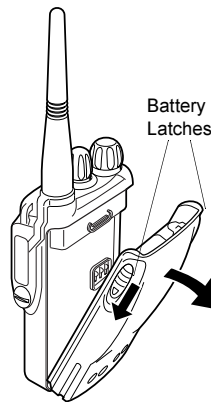
Attaching the Battery

1. Fit the extensions at the bottom of the battery into the slots at the bottom of the radio's body.
2. Press the top part of the battery towards the radio until you hear a click.



Removing the Battery

1. Ensure radio is switched off.
2. Slide the battery latches, on both sides of the battery, downwards.
3. Pull the top part of the battery away from the radio's body, and remove the battery.





MOTOROLA

MOTOROLA and the Stylized M Logo are registered in the U.S. Patent and Trademark Office. All other product or service names are the property of their respective owners.

© 2007 Motorola, Inc.
All rights reserved. March 2007.

www.motorola.com



6864110B54-B